

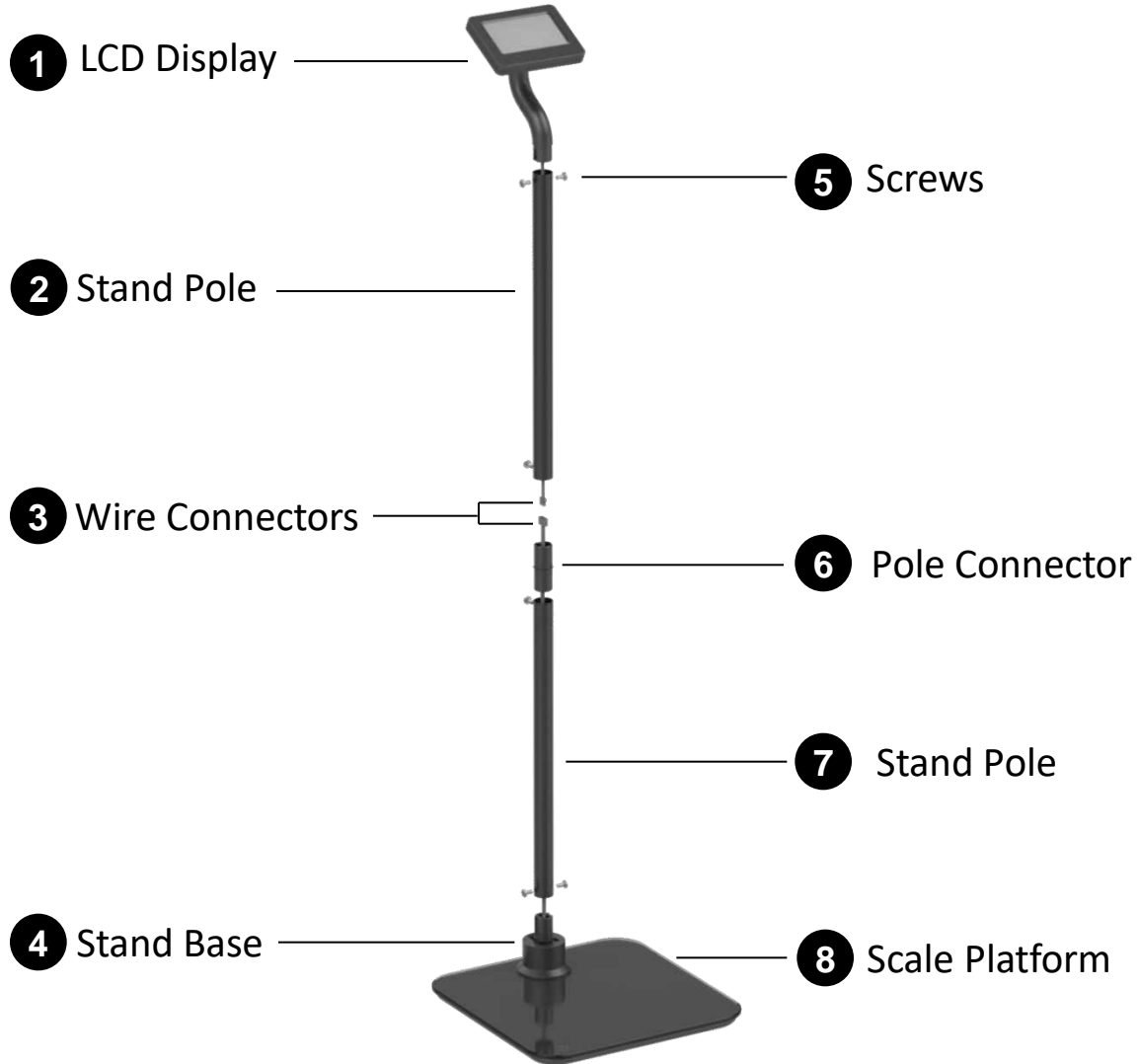
Digital Column Bathroom Scale

User Manual



ZNEWTECH

Getting to know your Znewtech Scale



Step-by-Step Assembly Instructions

Parts Listing:

A Scale Base (1 Unit)



B Stand poles (2 Units)



C Display (1 Unit)



D Pole Connector (1 Unit)



E Screws (6 Units)



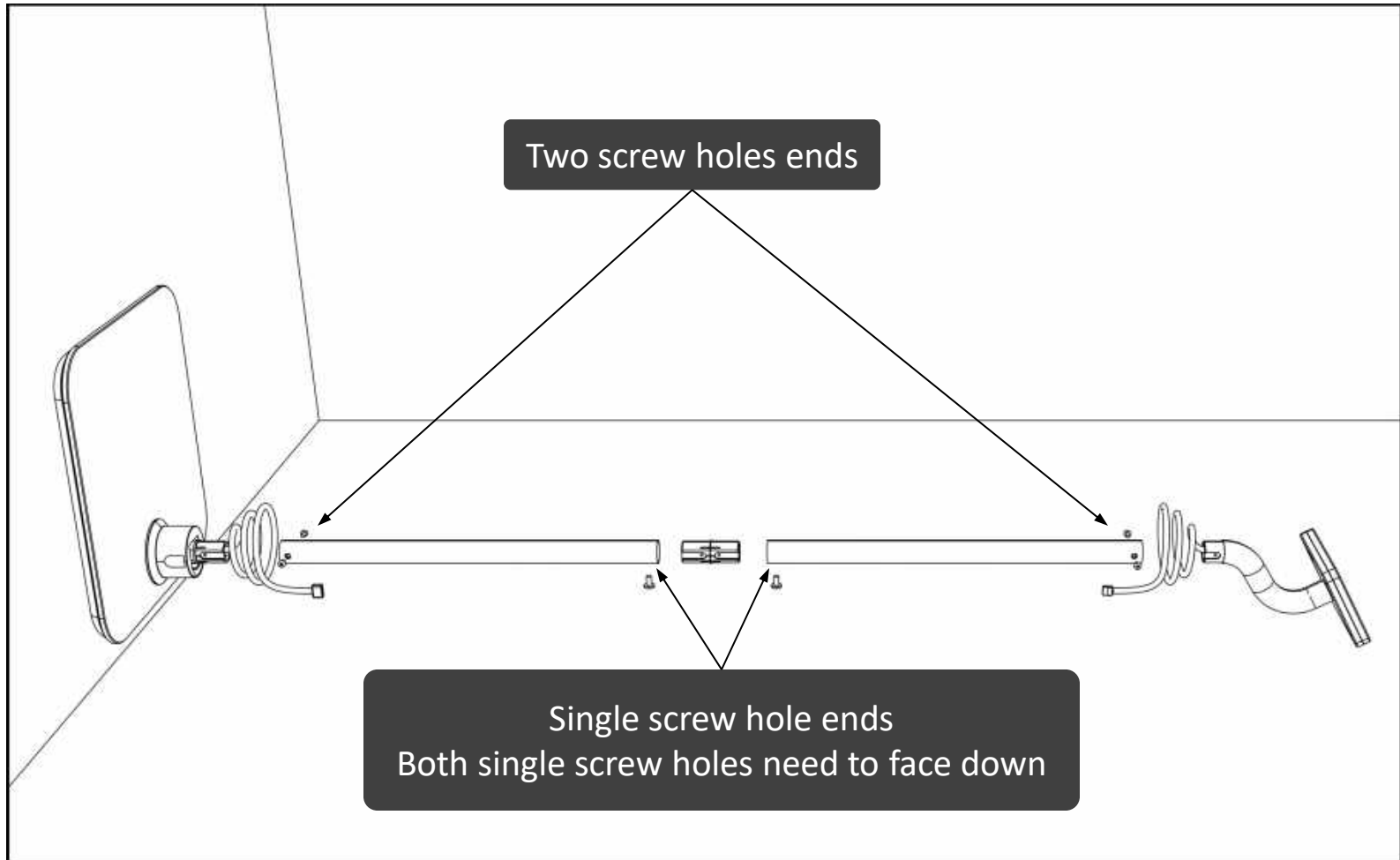
Required Tool:

Phillips screwdriver (not included)

Assembly will take 10-20 minutes

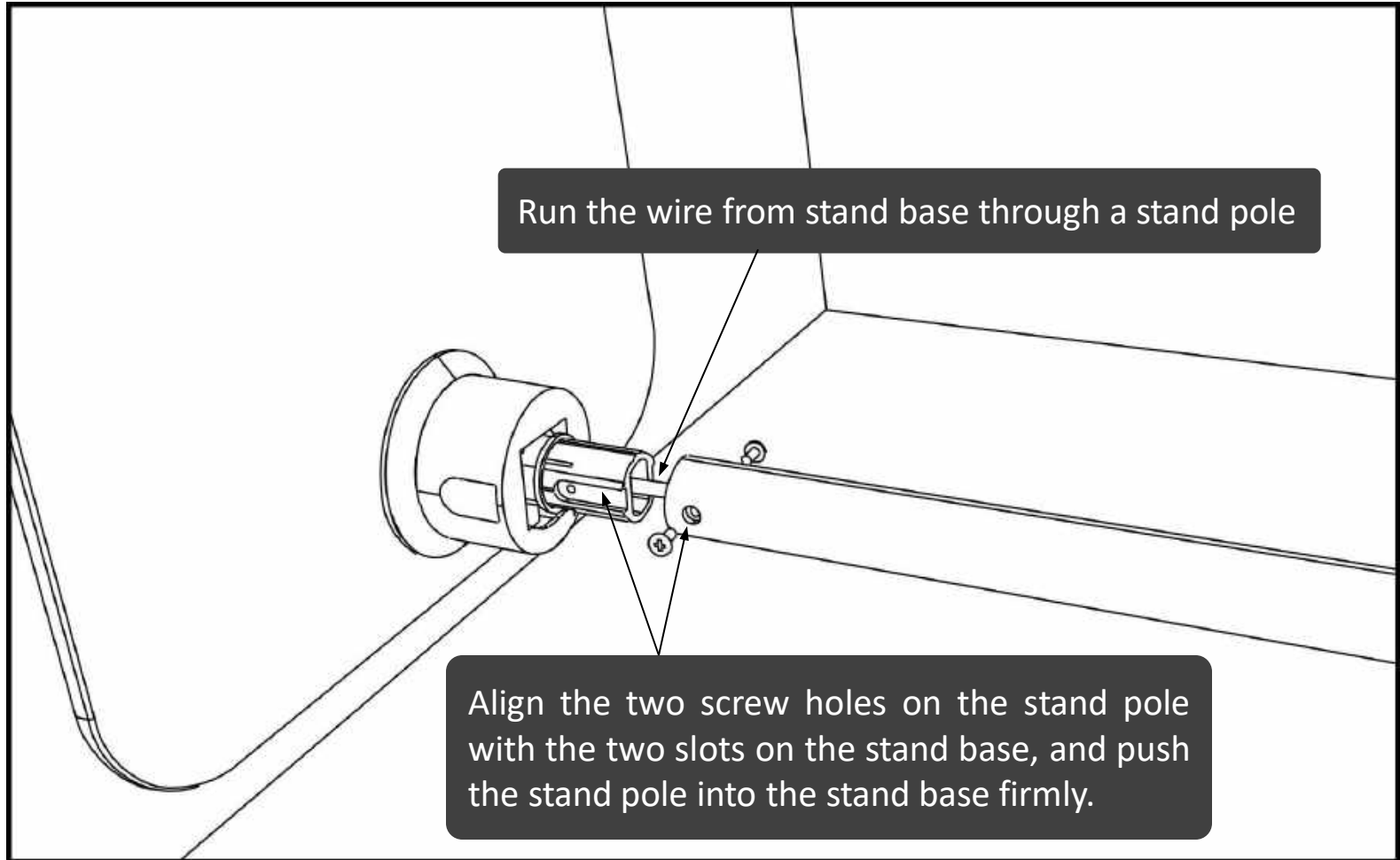
1

Lay down all the parts on the floor as shown below



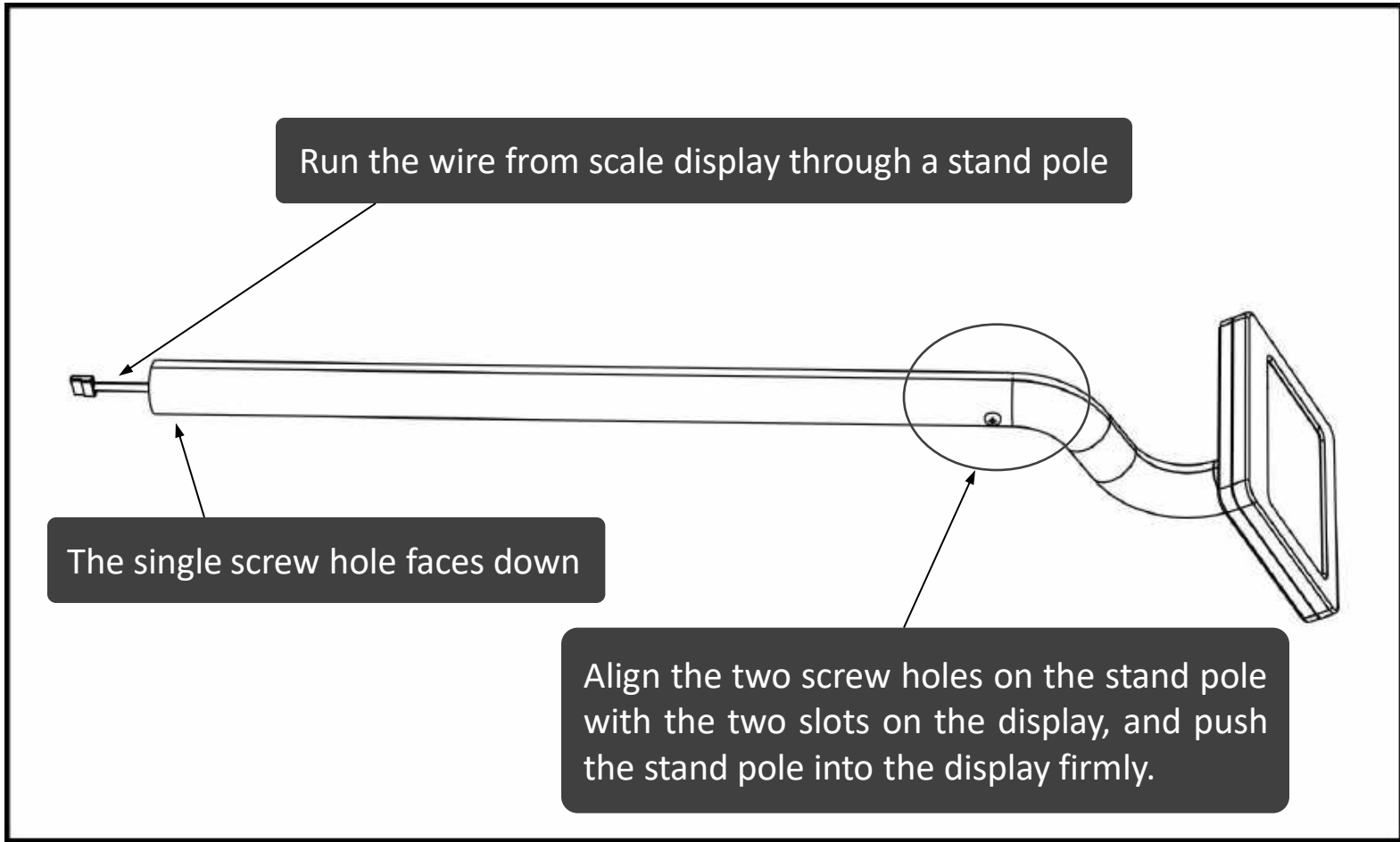
2

Connect a stand pole with the stand base



3

Connect a stand pole with the scale display

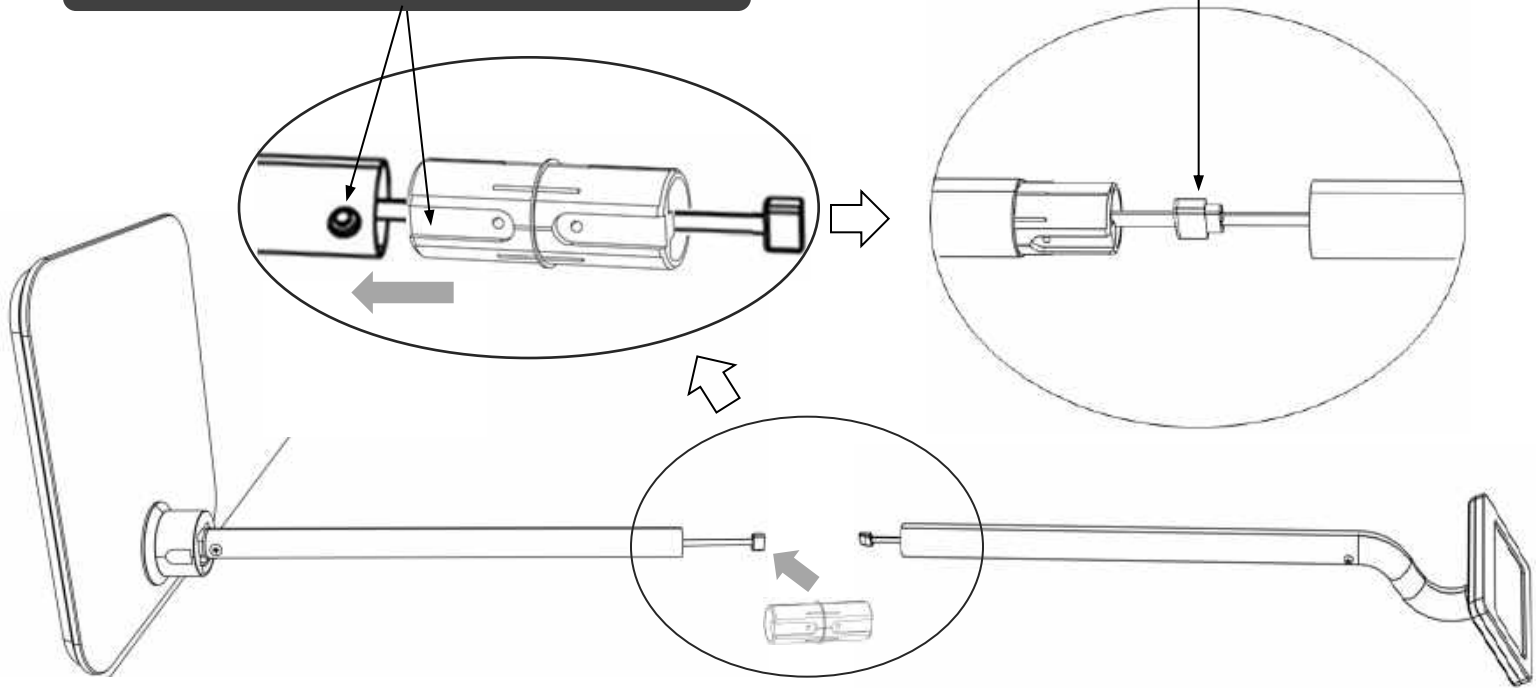


4

Insert the pole connector and connect two wires

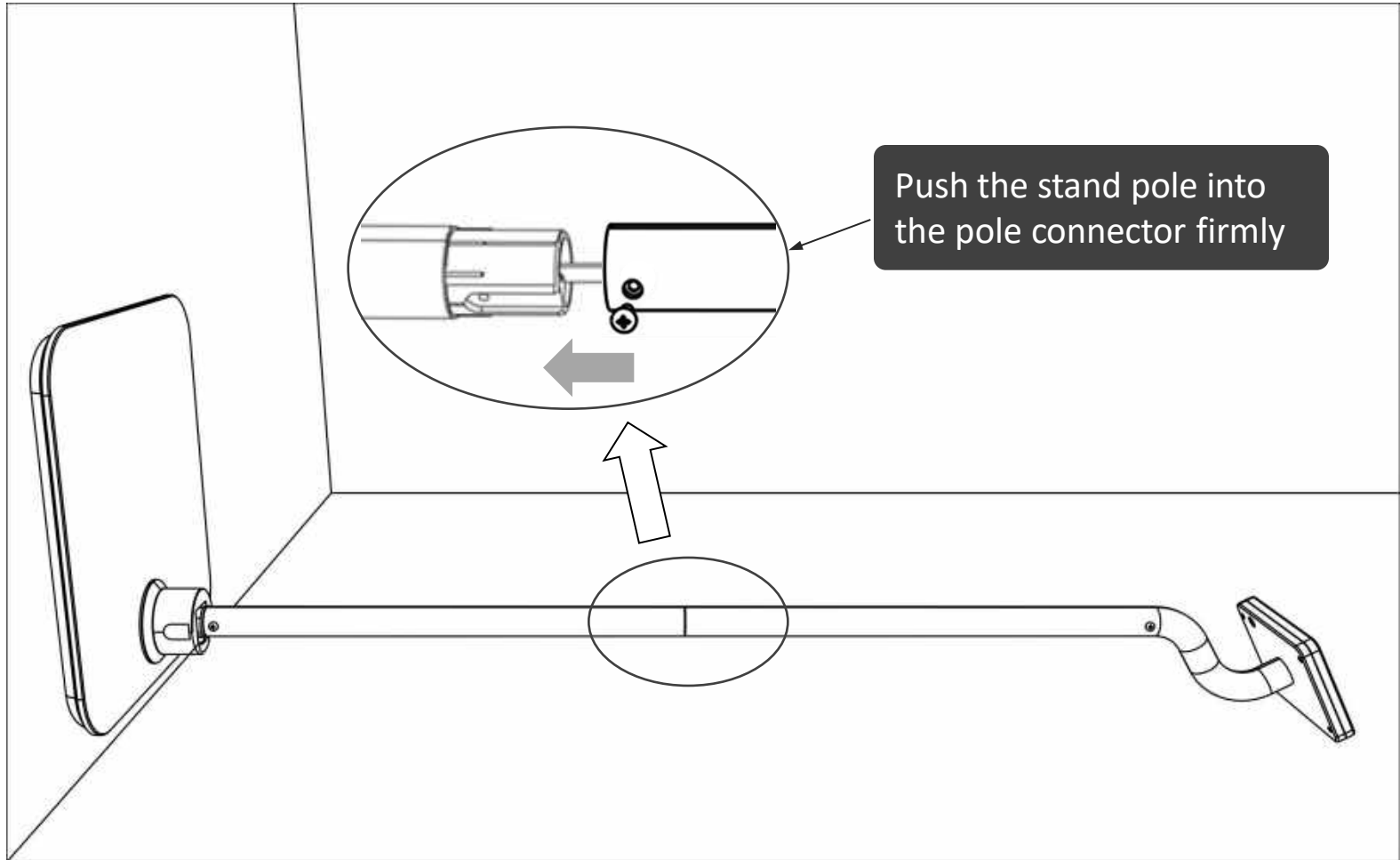
Align the slot on the pole connector with the screw hole on the stand pole , and push the pole connector into the stand pole firmly

Connect the two wires together



5

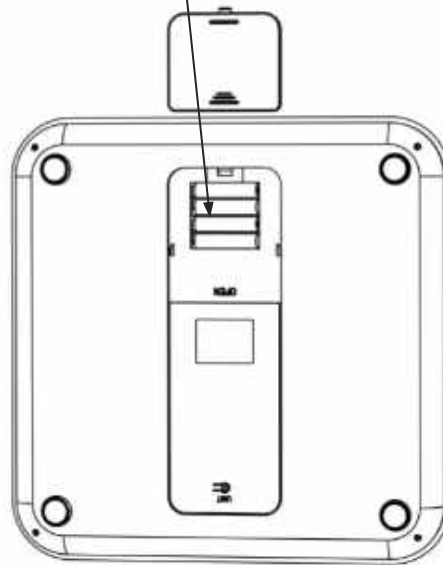
Connect two stand poles together



6

Install batteries

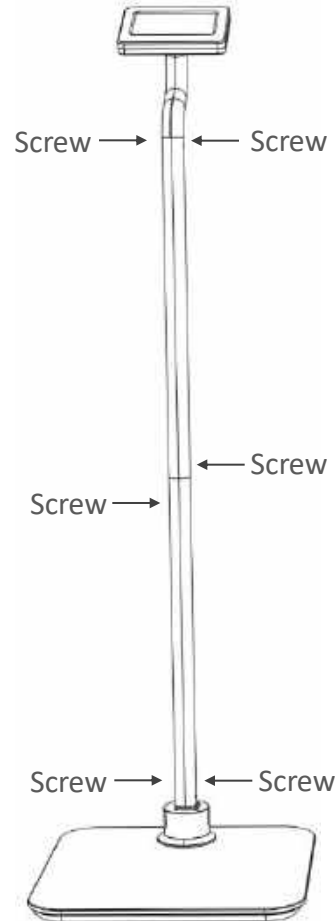
Install 4 AAA batteries into the battery compartment on the bottom of scale platform



7

Finish assembly

Hold up the scale to stand-up position and fasten all 6 screws



Troubleshooting

How to reset the scale?

- 1) Uninstall batteries
- 2) Wait for one hour
- 3) Reinstall batteries

Need Help?

support@znewtech.com

Use the scale on a hard, level and even surface (no carpeting). Inconsistent and soft surfaces will cause inaccurate measurements.

Setting Units

1. Press the **Unit Set Switch** located on the back of the scale **LCD Display** to select the unit (kg/lb/st) that you want to set. The stone (st) is a unit of measure equal to 14 pounds (lb) avoirdupois, or 6.3503 kilograms (kg).
2. The unit changes each time the set switch is pressed.



Unit Set Switch

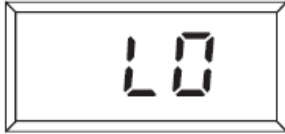
Measuring Your Weight

1. Place the scale on the **hard and flat** surface.
2. Step on the **scale platform**, the scale **stand pole** can be tilted forward up to **15°**. Remain still and the scale will count up to your weight. The display will **flash twice** when the weight is locked.
3. Your weight will be displayed for about **10 seconds**, and then the scale turns off automatically.

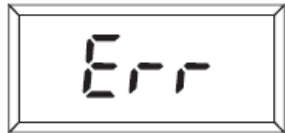


Maintenance

The “LO” indicates the battery power is low. Please change new batteries.



The “Err” indicates overload.



Warranty

One-Year Limited Warranty

Contact us for questions or returns:
support@znewtech.com

Specifications

Capacity:	440 lbs (200 kg)
Weight Increments:	0.2 lbs (100 g)
Switch-on Over:	3kg / 6lbs
Power Source:	4 AAA batteries
Unit Modes:	kg/lb/st
Platform Size:	12" x 12" (31 cm x 31 cm)
Scale Height:	40 " (100 cm)

Low Battery and Overload Indication

Support

Please visit our website www.znewtech.com for more information about the product.

Contact us at support@znewtech.com.