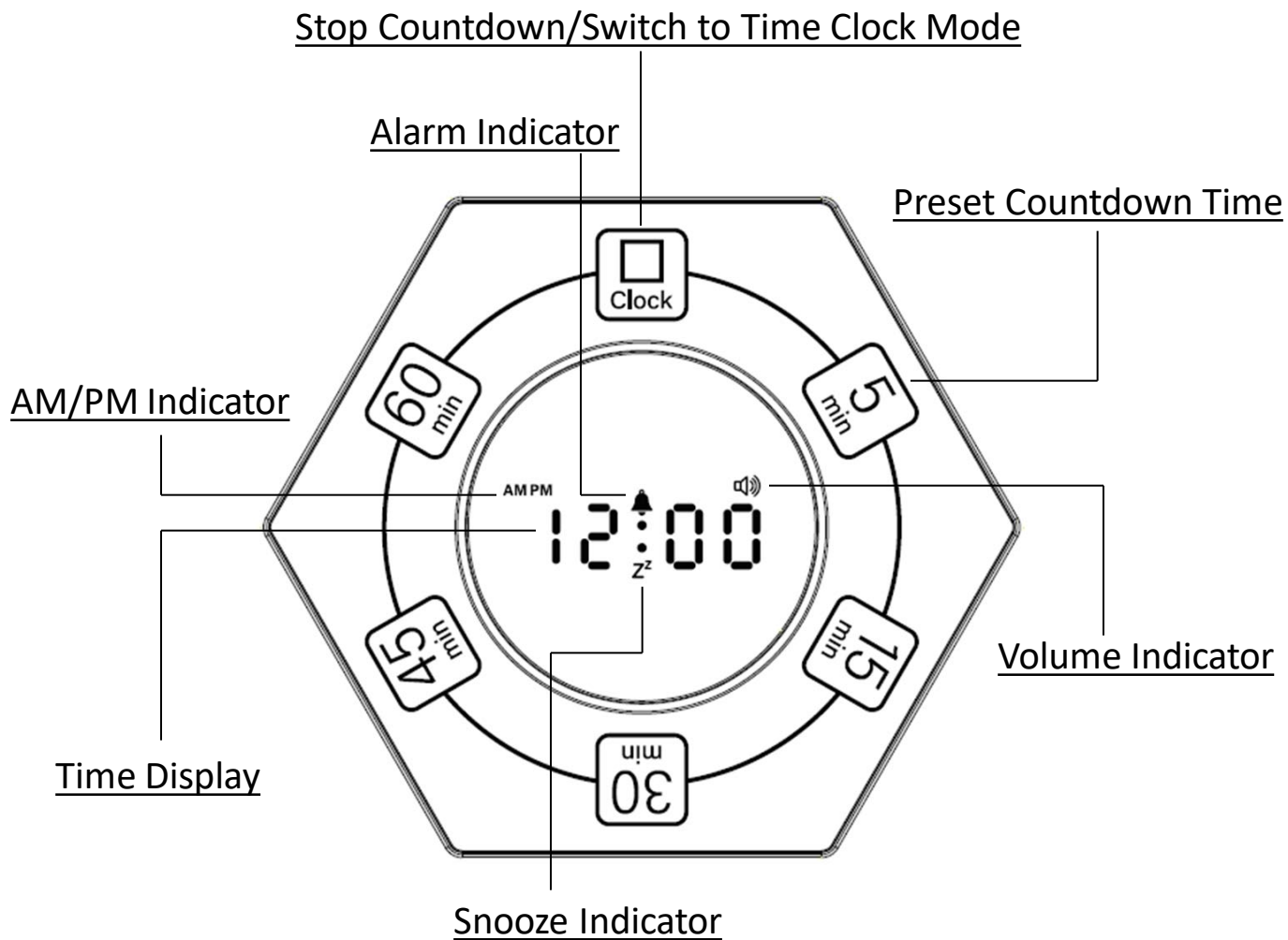


Hexagon Rotating Timer

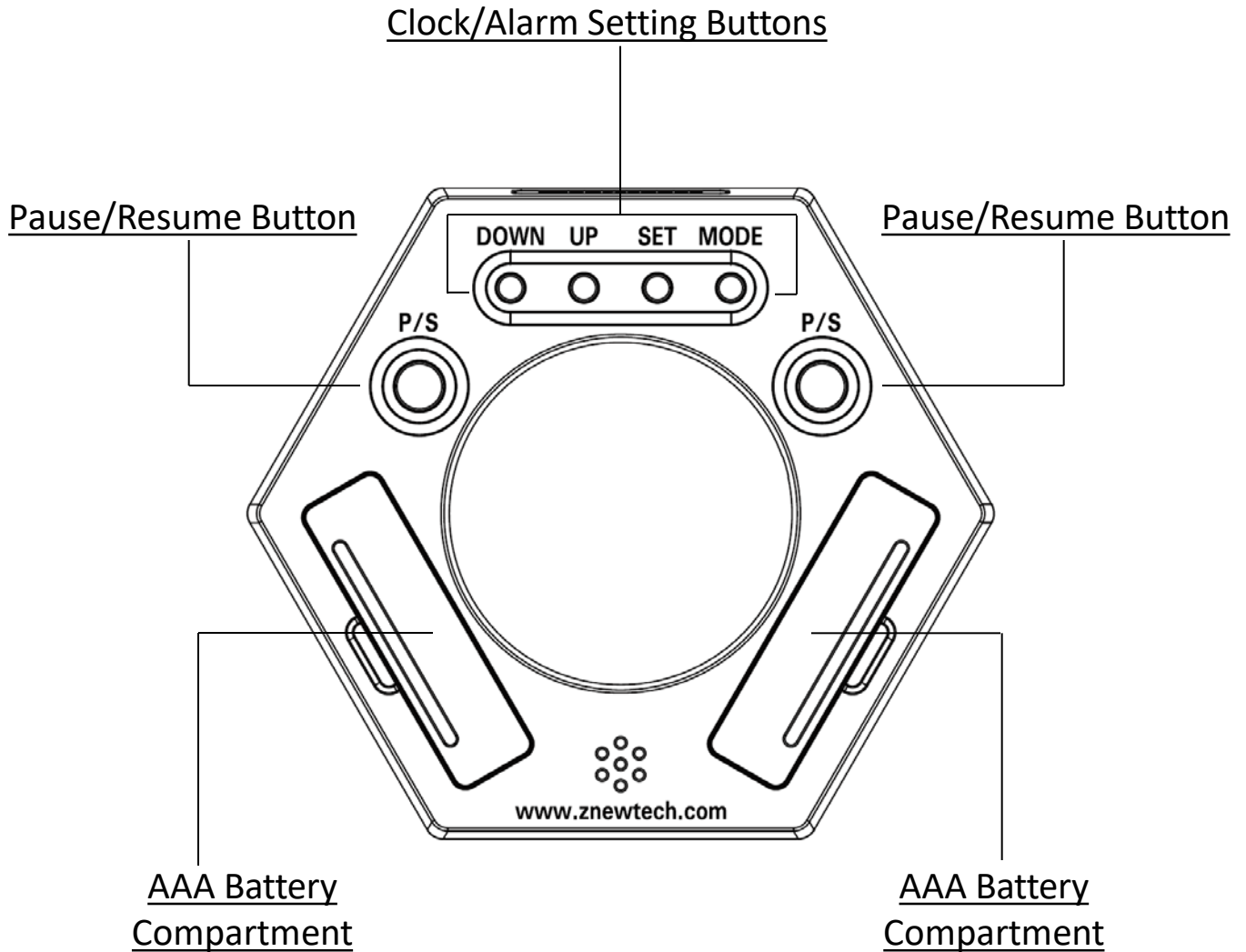


ZNEWTECH

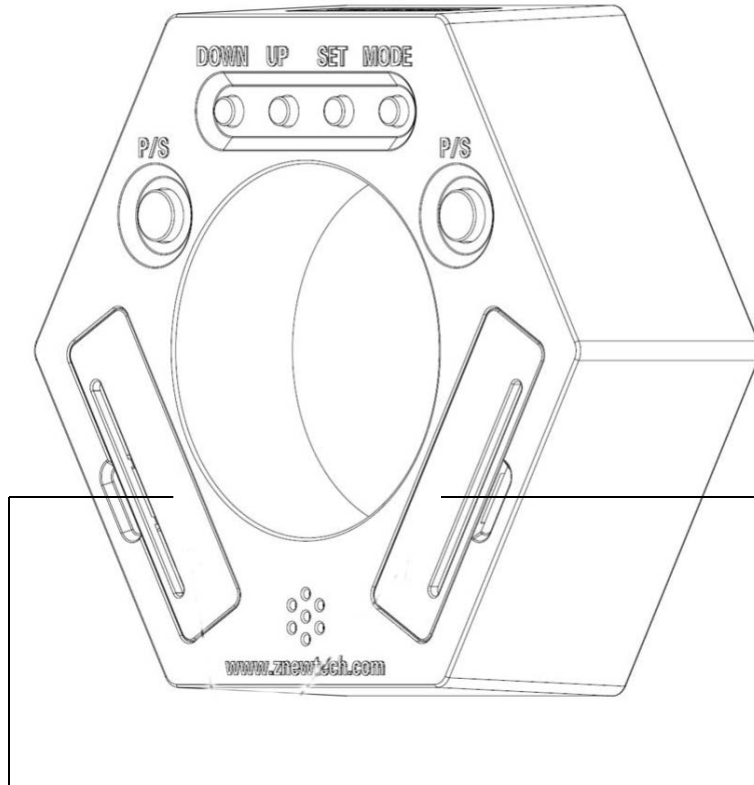
Front View



Back View



Installing Batteries



Open **battery compartment** doors and install two **AAA** batteries

Setting Clock

1. Press **MODE** once to enter setting **12/24** hour mode
2. Press **UP/DOWN** to select **12 or 24** hour format
3. Press **SET** to enter setting clock **hour**
4. Press **UP/DOWN** to adjust **hour**
5. Press **SET** to enter setting clock **minute**
6. Press **UP/DOWN** to adjust **minute**
7. Press **MODE twice** to finish setting the clock

If you do not press any button for about **10** seconds while setting the clock, clock setting mode will be canceled.

Setting Alarm

1. Press **MODE** *twice* to enter setting *alarm* mode
2. Press **SET** to enter setting alarm *hour*
3. Press **UP/DOWN** to adjust *hour*
4. Press **SET** to enter setting alarm *minute*
5. Press **UP/DOWN** to adjust *minute*
6. Press **MODE** to finish setting the *alarm*


Disabling Alarm

1. Press **MODE** *twice* to enter setting *alarm* mode
2. Press **SET** *multiple times* until “-:--” shows on the screen
3. Press **MODE** to finish disabling the *alarm*

Adjusting Sound Volume

1. Press **MODE** *twice* to enter setting *alarm* mode
2. Press **SET** *three times*
3. Press **UP/DOWN** to change volume: **High/Low/Silent***
4. Press **MODE** to finish adjusting sound volume

***Note:**

*If the current volume setting is **Silent**, the **volume indicator** symbol  will not show on the screen. You can press **UP** button in the **Step 3** above to increase volume.*

Using Timer


➤ ***Start Countdown***

Rotate clock face to select a desired preset countdown time. The countdown starts automatically.

➤ ***Pause/Resume***

Press any **P/S** button at the back of the clock to pause/resume countdown

➤ ***Stop Countdown***

Rotate the clock to  position to stop countdown and go back to time clock mode

➤ ***Auto CountUp***

After the countdown ends, the clock starts counting up automatically until it reaches 99:59 (Minute:Second)

Using Alarm Clock

➤ **How to turn off an alarm?**

*Rotate the clock to one of the **Preset Timer** positions, then rotate back to **Clock** position.*

➤ **How to snooze an alarm?**

Press **SNOOZE/LIGHT** will trigger snooze alarm for **4 minutes** and the LED light on the back of the clock will be on for **10 seconds**.

Need Help?

support@znewtech.com



www.znewtech.com